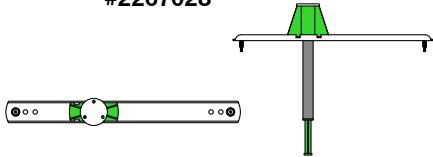




KCM-MD Long Plate $\frac{1}{4}'' + \frac{3}{8}''$

2285444-11.2024

25 KWIK CAST
KCM-MD L $\frac{1}{4}'' + \frac{3}{8}''$
GRN-GRN
#2267028



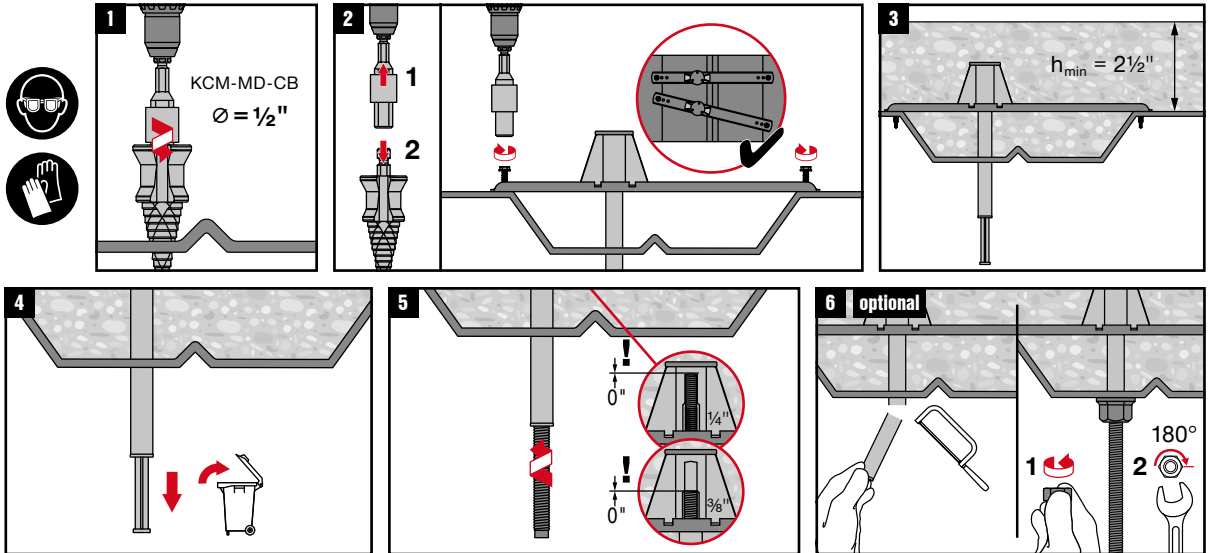
Info | Shop



qr.hilti.com/2267028

Batch Tracking
Information

Made in Taiwan
Hilti = trademark of Hilti Corp., Schaun, LI



UL Listing does not cover the 1/4-inch rod size. For seismic bracing applications cut tube flush to bottom of metal deck.
*Turn threaded rod until bottomed out to ensure full thread engagement.