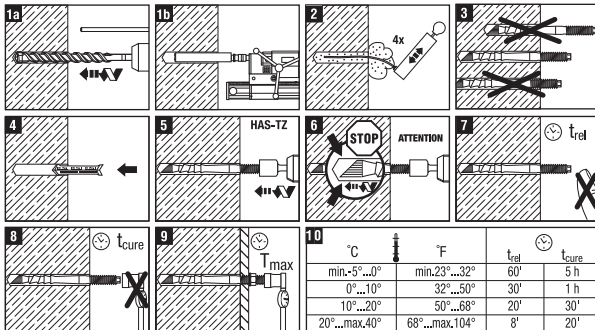
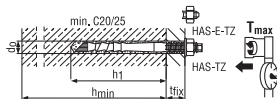


HAS-((HC)R)-TZ M12x95/tfix

15.10.2010



Anchor Size		M12
HVU-TZ...		M12x90
HAS-((HC)R)-TZ		M12x95/tfix
d ₀	(mm)	14
h ₁	(mm)	110
h _{min}	(mm)	190
t _{fix}	(mm)	25 / 50 / 100 (and 40 for HAS-RTZ)
T _{max}	HAS-TZ	50
	HAS-RTZ	70
	HAS-HCR-TZ	70
TE- U/min RPM min-max		1...40
		250 – 1000

336296 / V2